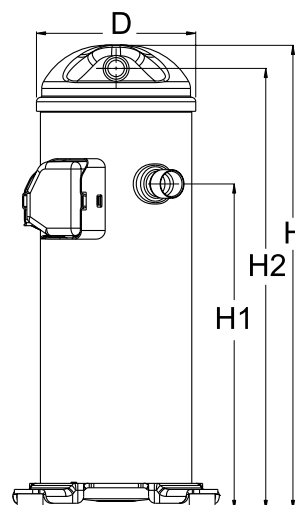


General Characteristics

Model number (on compressor nameplate)		HCJ090T4LC6
Code number for Singlepack*		120U2302
Code number for Industrial pack**		120U2299
Drawing number		0SR7596B
Suction and discharge connections		Brazed
Suction connection		1-1/8" ODF
Discharge connection		7/8" ODF
Oil sight glass		None
Oil equalisation connection		None
Oil drain connection		None
LP gauge port		None
IPR valve		None
Swept volume		86.85 cm ³ /rev
Displacement @ Nominal speed	15.1 m ³ /h @ 2900 rpm - 18.2 m ³ /h @ 3500 rpm	
Net weight		45.2 kg
Oil charge		2.66 litre, PVE --
Maximum system test pressure Low Side / High side		- bar(g) / - bar(g)
Maximum differential test pressure		- bar
Maximum number of starts per hour		-
Refrigerant charge limit		7.26 kg
Approved refrigerants		R410A

Dimensions


D=184 mm

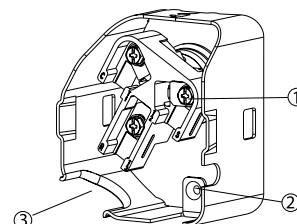
H=537 mm

H1=377 mm

H2=510 mm

Electrical Characteristics

Nominal voltage	380-400V/3/50Hz - 460V/3/60Hz
Voltage range	340-440 V @ 50Hz - 414-506 V @ 60Hz
Rated Load Amps (RLA)	12.2 A
Maximum Continuous Current (MCC)	19.0 A
Locked Rotor Amps (LRA)	110.0 A
Motor protection	Internal overload protector

Terminal box


IP22

1: Screw connectors 10-32 UNF x 9.5

2: Earth connection

3: Power cable passage

Recommended Installation torques

Oil sight glass	0 Nm
Power connections / Earth connection	3 Nm / 2 Nm

Parts shipped with compressor

Mounting kit with grommets and sleeves
Initial oil charge
Installation instructions

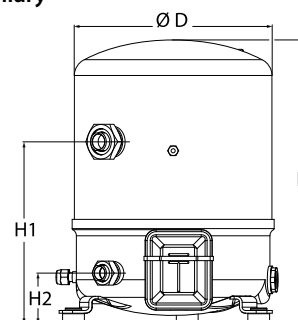
Approvals : CE certified, UL certified (file SA11565), -

*Singlepack: Compressor in cardboard box

**Industrial pack: 12 or 16 Unboxed compressors on pallet

Dane ogólne

Oznaczenie modelu (na tabliczce znamionowej)	MTZ80HP4A	MTZ80HP4AVE
Numer katalogowy (opakowanie indywidualne)*	MTZ80-4I	MTZ80-4VI
Numer katalogowy (opakowanie przemysłowe)**	MTZ80-4M	MTZ80-4VM
Rysunek numer	8502014e	8502012g
Przyłącza ssawne i tłoczne	Rotolock	Rotolock
Przyłącze ssawne	1-3/4" Rotolock	1-3/4" Rotolock
Przyłącze tłoczne	1-1/4" Rotolock	1-1/4" Rotolock
Przyłącze ssawne z adapterem do lutowania - w zest.	1-1/8" ODF	1-1/8" ODF
Przyłącze tłoczne z adapterem do lutowania - w zest.	3/4" ODF	3/4" ODF
Wziernik poziomu oleju	Nie występuje	Wkręcany
Króciec wyrównania poziomu oleju	Nie występuje	3/8" króciecSAE
Króciec spustowy oleju	Nie występuje	Nie występuje
Przyłącze pomiarowe niskiego ciśnienia	Schrader	Schrader
Wewnętrzny zawór upustowy	30 bar / 8 bar	30 bar / 8 bar
Ilość cylindrów	2	
Pojemność	135.78 cm ³ /obr	
Pojemność @ Znamionowa prędkość obrotowa	23.6 m ³ /h @ 2900 rpm - 28.5 m ³ /h @ 3500 rpm	
Masa netto	40 kg	
Napełnienie olejem	1.8 dm ³ , POE - 160PZ	
Maksymalne ciśnienie próbne instalacji LP / HP	25 bar(g) / 30 bar(g)	
Maksymalna różnica ciśnień podczas próby instalacji	30 bar	
Maksymalna ilość załączeń sprężarki w ciągu godziny	12	
Limit napełnienia czynnikiem chłodniczym	5 kg	
Przeznaczone do pracy z czynnikami chłodniczymi	R404A - R507A - R134a - R407C	

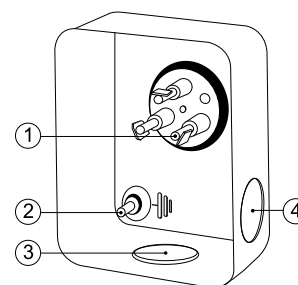
Wymiary


D=288 mm

H=413 mm

H1=265 mm

H2=74 mm

Puszka zaciskowa


IP55 (z dławikiem)

1: Przyłącze konektorowe 1/4"

2: Uziemienie

3: Zaślepka Ø 21 mm (0,83")

4: Otwór Ø 21 mm (0,83")

Dane elektryczne

Napięcie znamionowe	380-400V/3/50Hz - 460V/3/60Hz
Zakres napięcia zasilania	340-440 V @ 50Hz - 414-506 V @ 60Hz
Oporność uzwojeń (dwóch faz) +/- 7% w temp. 25°C	1.9 Ω
Maksymalny prąd pracy (MCC)	18 A
Prąd rozruchowy (LRA)	80 A
Zabezpieczenie silnika	Wewn. zabezpieczenie nadmiar.- prądowe

Zalecany moment montażowy

Zawór ssawny Rotolock, lub nakrętka adaptera	110 Nm
Zawór tłoczny Rotolock, lub nakrętka adaptera	90 Nm
Wziernik poziomu oleju	50 Nm
Śruby przyłączeń zasilania elektrycznego / Śruba przyłączenia uziemienia	Nm / 2 Nm
Śruby montażowe (tłumików gumowych)	15 Nm

Elementy wyposażenia sprężarki

Tłumiki gumowe z tulejami, śrubami, nakrętkami i podkładkami
Adaptery do lutowania, nakrętki, uszczelki - strony ssawna i tłoczna (dostarczane tylko z wersją R - Rotolock)
Napełnienie startowe olejem
Instrukcja montażu

Zatwierdzenia : Oznaczone znakiem CE , Dopuszczenie UL (SA6873), -

* Opakowania indywidualne: Sprężarki pakowane indywidualnie w opakowania kartonowe

* Opakowania przemysłowe: 6 sprężarek na palecie (bez opakowań indywidualnych)

Rotolock accessories, suction side	Code no.
---	-----------------

Rotolock accessories, discharge side	Code no.
---	-----------------

Rotolock accessories, sets	Code no.
-----------------------------------	-----------------

Oil / lubricants	Code no.
-------------------------	-----------------

PVE lubricant, 320HV (FVC68D), 1 litre can	120Z5034
--	----------

Crankcase heaters	Code no.
--------------------------	-----------------

Belt type crankcase heater, 65 W, 230 V, CE mark, UL	120Z0059
Belt type crankcase heater, 65 W, 400 V, CE mark, UL	120Z0060
Belt type crankcase heater, 70 W, 230 V, UL	120Z5011
Belt type crankcase heater, 70 W, 460 V, UL	120Z5012

Miscellaneous accessories	Code no.
----------------------------------	-----------------

Discharge thermostat kit	7750009
--------------------------	---------

Spare parts	Code no.
--------------------	-----------------

Mounting kit for 1 scroll compressor including 4 grommets, 4 sleeves, 4 bolts, 4 washers	120Z5005
--	----------

Performance data at 50 Hz, EN 12900 rating conditions

R410A

Cond. temp. in °C (tc)	Evaporating temperature in °C (to)							
	-25	-20	-15	-10	-5	0	5	10

Cooling capacity in W

30	7 679	9 822	12 172	14 843	17 951	21 610	25 937	31 046	-
35	6 992	9 144	11 444	14 005	16 942	20 369	24 400	29 151	-
40	6 222	8 399	10 666	13 135	15 919	19 132	22 887	27 299	-
45	-	7 566	9 816	12 209	14 858	17 874	21 371	25 461	-
50	-	-	8 870	11 203	13 731	16 567	19 821	23 606	-
55	-	-	-	10 087	12 508	15 176	18 202	21 694	-
60	-	-	-	-	11 150	13 657	16 460	19 666	-
65	-	-	-	-	-	11 931	14 504	17 415	-

Power input in W

30	4 295	4 337	4 346	4 342	4 344	4 370	4 440	4 573	-
35	4 703	4 774	4 802	4 806	4 804	4 816	4 862	4 959	-
40	5 150	5 255	5 306	5 322	5 322	5 324	5 350	5 416	-
45	-	5 787	5 866	5 898	5 903	5 901	5 910	5 950	-
50	-	-	6 486	6 540	6 555	6 552	6 550	6 567	-
55	-	-	-	7 254	7 284	7 285	7 275	7 275	-
60	-	-	-	-	8 096	8 105	8 093	8 079	-
65	-	-	-	-	-	9 020	9 009	8 986	-

Current consumption in A

30	8.13	8.10	8.04	7.97	7.86	7.72	7.55	7.32	-
35	9.12	9.06	8.98	8.90	8.79	8.66	8.51	8.31	-
40	10.26	10.15	10.05	9.94	9.83	9.70	9.56	9.39	-
45	-	11.41	11.27	11.14	11.01	10.87	10.73	10.58	-
50	-	-	12.70	12.53	12.37	12.22	12.08	11.93	-
55	-	-	-	14.15	13.96	13.78	13.63	13.48	-
60	-	-	-	-	15.80	15.60	15.42	15.26	-
65	-	-	-	-	-	17.70	17.49	17.31	-

Mass flow in kg/h

30	161	202	247	297	355	424	504	598	-
35	155	198	244	295	352	419	497	588	-
40	147	193	240	292	349	415	491	579	-
45	-	185	235	288	345	411	485	571	-
50	-	-	227	282	341	406	479	563	-
55	-	-	-	274	334	399	473	555	-
60	-	-	-	-	325	391	465	547	-
65	-	-	-	-	-	381	455	537	-

Coefficient of performance (C.O.P.)

30	1.79	2.26	2.80	3.42	4.13	4.95	5.84	6.79	-
35	1.49	1.92	2.38	2.91	3.53	4.23	5.02	5.88	-
40	1.21	1.60	2.01	2.47	2.99	3.59	4.28	5.04	-
45	-	1.31	1.67	2.07	2.52	3.03	3.62	4.28	-
50	-	-	1.37	1.71	2.09	2.53	3.03	3.59	-
55	-	-	-	1.39	1.72	2.08	2.50	2.98	-
60	-	-	-	-	1.38	1.68	2.03	2.43	-
65	-	-	-	-	-	1.32	1.61	1.94	-

Nominal performance at to = 5 °C, tc = 50 °C

Cooling capacity	19 821	W
Power input	6 550	W
Current consumption	12.08	A
Mass flow	479	kg/h
C.O.P.	3.03	

Pressure switch settings

Maximum HP switch setting	45	bar(g)
Minimum LP switch setting	1.5	bar(g)
LP pump down setting	2.3	bar(g)

Sound power data

Sound power level	72	dB(A)
With acoustic hood	67	dB(A)

to: Evaporating temperature at dew point

tc: Condensing temperature at dew point

Rating conditions : Superheat = 10 K, Subcooling = 0 K

All performance data +/- 5%

Danfoss can accept no responsibility for possible errors in catalogues, brochures and other printed material. Danfoss reserves the right to alter its products without notice. This also applies to products already on order provided that such alternations can be made without subsequential changes being necessary in specifications already agreed. All trademarks in this material are property of the respective companies. Danfoss, the Danfoss logotype and Performer are trademarks of Danfoss A/S. All rights reserved.

Performance data at 50 Hz, ARI rating conditions

R410A

Cond. temp. in °C (tc)	Evaporating temperature in °C (to)							
	-25	-20	-15	-10	-5	0	5	10

Cooling capacity in W

30	8 293	10 596	13 118	15 982	19 310	23 227	27 854	33 315	-
35	7 600	9 927	12 410	15 171	18 334	22 021	26 356	31 461	-
40	6 815	9 188	11 653	14 334	17 352	20 831	24 895	29 665	-
45	-	8 355	10 823	13 444	16 339	19 632	23 445	27 902	-
50	-	-	9 896	12 478	15 271	18 398	21 983	26 148	-
55	-	-	-	11 411	14 123	17 106	20 483	24 378	-
60	-	-	-	-	12 871	15 732	18 923	22 567	-
65	-	-	-	-	-	14 250	17 276	20 692	-

Power input in W

30	4 295	4 337	4 346	4 342	4 344	4 370	4 440	4 573	-
35	4 703	4 774	4 802	4 806	4 804	4 816	4 862	4 959	-
40	5 150	5 255	5 306	5 322	5 322	5 324	5 350	5 416	-
45	-	5 787	5 866	5 898	5 903	5 901	5 910	5 950	-
50	-	-	6 486	6 540	6 555	6 552	6 550	6 567	-
55	-	-	-	7 254	7 284	7 285	7 275	7 275	-
60	-	-	-	-	8 096	8 105	8 093	8 079	-
65	-	-	-	-	-	9 020	9 009	8 986	-

Current consumption in A

30	8.13	8.10	8.04	7.97	7.86	7.72	7.55	7.32	-
35	9.12	9.06	8.98	8.90	8.79	8.66	8.51	8.31	-
40	10.26	10.15	10.05	9.94	9.83	9.70	9.56	9.39	-
45	-	11.41	11.27	11.14	11.01	10.87	10.73	10.58	-
50	-	-	12.70	12.53	12.37	12.22	12.08	11.93	-
55	-	-	-	14.15	13.96	13.78	13.63	13.48	-
60	-	-	-	-	15.80	15.60	15.42	15.26	-
65	-	-	-	-	-	17.70	17.49	17.31	-

Mass flow in kg/h

30	160	201	245	295	353	421	500	594	-
35	154	197	243	293	350	416	493	583	-
40	146	192	239	290	347	412	487	575	-
45	-	184	233	286	343	408	482	567	-
50	-	-	226	280	338	403	476	559	-
55	-	-	-	272	332	397	469	551	-
60	-	-	-	-	323	389	462	543	-
65	-	-	-	-	-	378	452	533	-

Coefficient of performance (C.O.P.)

30	1.93	2.44	3.02	3.68	4.45	5.32	6.27	7.29	-
35	1.62	2.08	2.58	3.16	3.82	4.57	5.42	6.34	-
40	1.32	1.75	2.20	2.69	3.26	3.91	4.65	5.48	-
45	-	1.44	1.85	2.28	2.77	3.33	3.97	4.69	-
50	-	-	1.53	1.91	2.33	2.81	3.36	3.98	-
55	-	-	-	1.57	1.94	2.35	2.82	3.35	-
60	-	-	-	-	1.59	1.94	2.34	2.79	-
65	-	-	-	-	-	1.58	1.92	2.30	-

Nominal performance at to = 7.2 °C, tc = 54.4 °C

Cooling capacity	22 321	W
Power input	7 182	W
Current consumption	13.36	A
Mass flow	505	kg/h
C.O.P.	3.11	

Pressure switch settings

Maximum HP switch setting	45	bar(g)
Minimum LP switch setting	1.5	bar(g)
LP pump down setting	2.3	bar(g)

Sound power data

Sound power level	72	dB(A)
With acoustic hood	67	dB(A)

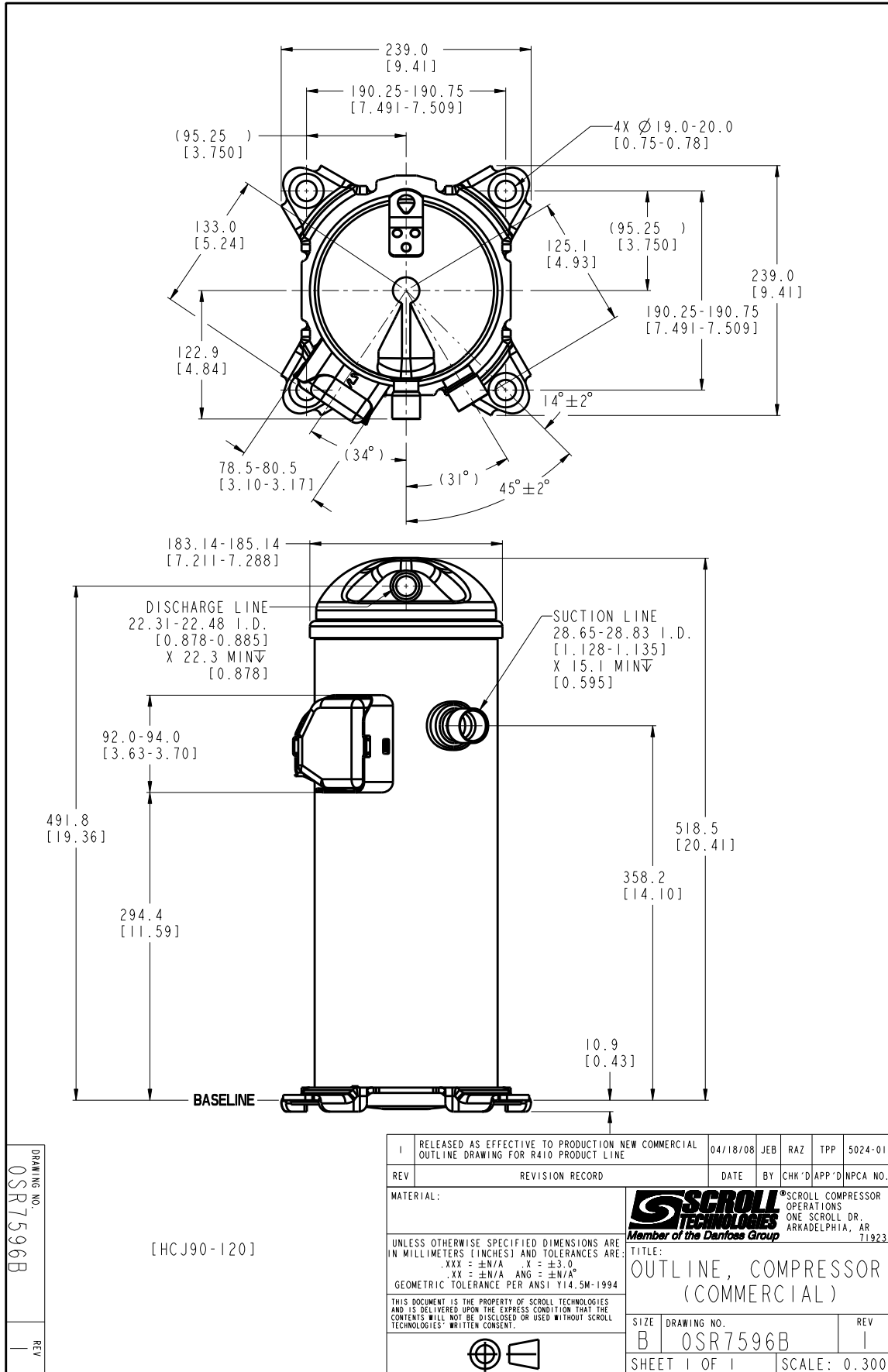
to: Evaporating temperature at dew point

tc: Condensing temperature at dew point

Rating conditions : Superheat = 11.1 K, Subcooling = 8.3 K

All performance data +/- 5%

Danfoss can accept no responsibility for possible errors in catalogues, brochures and other printed material. Danfoss reserves the right to alter its products without notice. This also applies to products already on order provided that such alternations can be made without subsequential changes being necessary in specifications already agreed. All trademarks in this material are property of the respective companies. Danfoss, the Danfoss logotype and Performer are trademarks of Danfoss A/S. All rights reserved.

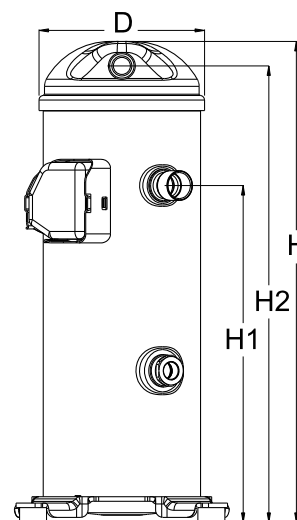


Danfoss can accept no responsibility for possible errors in catalogues, brochures and other printed material. Danfoss reserves the right to alter its products without notice. This also applies to products already on order provided that such alternations can be made without subsequential changes being necessary in specifications already agreed. All trademarks in this material are property of the respective companies. Danfoss, the Danfoss logotype and Maneurop are trademarks of Danfoss A/S. All rights reserved.

General Characteristics

Model number (on compressor nameplate)		HCJ090T4LC7
Code number for Singlepack*		120U2534
Code number for Industrial pack**		120U2531
Drawing number		0SR7509B
Suction and discharge connections		Brazed
Suction connection		1-1/8" ODF
Discharge connection		7/8" ODF
Oil sight glass		Threaded
Oil equalisation connection		None
Oil drain connection		None
LP gauge port		None
IPR valve		None
Swept volume		86.85 cm ³ /rev
Displacement @ Nominal speed	15.1 m ³ /h @ 2900 rpm - 18.2 m ³ /h @ 3500 rpm	
Net weight		45.2 kg
Oil charge		2.66 litre, PVE --
Maximum system test pressure Low Side / High side		- bar(g) / - bar(g)
Maximum differential test pressure		- bar
Maximum number of starts per hour		-
Refrigerant charge limit		7.26 kg
Approved refrigerants		R410A

Dimensions



D=184 mm
H=537 mm
H1=377 mm
H2=510 mm

Electrical Characteristics

Nominal voltage	380-400V/3/50Hz - 460V/3/60Hz
Voltage range	340-440 V @ 50Hz - 414-506 V @ 60Hz
Rated Load Amps (RLA)	12.2 A
Maximum Continuous Current (MCC)	19.0 A
Locked Rotor Amps (LRA)	110.0 A
Motor protection	Internal overload protector

Recommended Installation torques

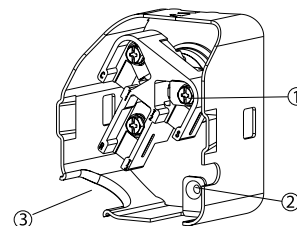
Oil sight glass	0 Nm
Power connections / Earth connection	3 Nm / 2 Nm

Parts shipped with compressor

Mounting kit with grommets and sleeves
Initial oil charge
Installation instructions

Approvals : CE certified, UL certified (file SA11565), -
*Singlepack: Compressor in cardboard box
**Industrial pack: 12 or 16 Unboxed compressors on pallet

Terminal box



IP22
1: Screw connectors 10-32 UNF x 9.5
2: Earth connection
3: Power cable passage

Rotolock accessories, suction side	Code no.
---	-----------------

Rotolock accessories, discharge side	Code no.
---	-----------------

Rotolock accessories, sets	Code no.
-----------------------------------	-----------------

Oil / lubricants	Code no.
-------------------------	-----------------

PVE lubricant, 320HV (FVC68D), 1 litre can	120Z5034
--	----------

Crankcase heaters	Code no.
--------------------------	-----------------

Belt type crankcase heater, 65 W, 230 V, CE mark, UL	120Z0059
Belt type crankcase heater, 65 W, 400 V, CE mark, UL	120Z0060
Belt type crankcase heater, 70 W, 230 V, UL	120Z5011
Belt type crankcase heater, 70 W, 460 V, UL	120Z5012

Miscellaneous accessories	Code no.
----------------------------------	-----------------

Discharge thermostat kit	7750009
--------------------------	---------

Spare parts	Code no.
--------------------	-----------------

Mounting kit for 1 scroll compressor including 4 grommets, 4 sleeves, 4 bolts, 4 washers	120Z5005
--	----------

Performance data at 50 Hz, EN 12900 rating conditions

R410A

Cond. temp. in °C (tc)	Evaporating temperature in °C (to)							
	-25	-20	-15	-10	-5	0	5	10

Cooling capacity in W

30	7 679	9 822	12 172	14 843	17 951	21 610	25 937	31 046	-
35	6 992	9 144	11 444	14 005	16 942	20 369	24 400	29 151	-
40	6 222	8 399	10 666	13 135	15 919	19 132	22 887	27 299	-
45	-	7 566	9 816	12 209	14 858	17 874	21 371	25 461	-
50	-	-	8 870	11 203	13 731	16 567	19 821	23 606	-
55	-	-	-	10 087	12 508	15 176	18 202	21 694	-
60	-	-	-	-	11 150	13 657	16 460	19 666	-
65	-	-	-	-	-	11 931	14 504	17 415	-

Power input in W

30	4 295	4 337	4 346	4 342	4 344	4 370	4 440	4 573	-
35	4 703	4 774	4 802	4 806	4 804	4 816	4 862	4 959	-
40	5 150	5 255	5 306	5 322	5 322	5 324	5 350	5 416	-
45	-	5 787	5 866	5 898	5 903	5 901	5 910	5 950	-
50	-	-	6 486	6 540	6 555	6 552	6 550	6 567	-
55	-	-	-	7 254	7 284	7 285	7 275	7 275	-
60	-	-	-	-	8 096	8 105	8 093	8 079	-
65	-	-	-	-	-	9 020	9 009	8 986	-

Current consumption in A

30	8.13	8.10	8.04	7.97	7.86	7.72	7.55	7.32	-
35	9.12	9.06	8.98	8.90	8.79	8.66	8.51	8.31	-
40	10.26	10.15	10.05	9.94	9.83	9.70	9.56	9.39	-
45	-	11.41	11.27	11.14	11.01	10.87	10.73	10.58	-
50	-	-	12.70	12.53	12.37	12.22	12.08	11.93	-
55	-	-	-	14.15	13.96	13.78	13.63	13.48	-
60	-	-	-	-	15.80	15.60	15.42	15.26	-
65	-	-	-	-	-	17.70	17.49	17.31	-

Mass flow in kg/h

30	161	202	247	297	355	424	504	598	-
35	155	198	244	295	352	419	497	588	-
40	147	193	240	292	349	415	491	579	-
45	-	185	235	288	345	411	485	571	-
50	-	-	227	282	341	406	479	563	-
55	-	-	-	274	334	399	473	555	-
60	-	-	-	-	325	391	465	547	-
65	-	-	-	-	-	381	455	537	-

Coefficient of performance (C.O.P.)

30	1.79	2.26	2.80	3.42	4.13	4.95	5.84	6.79	-
35	1.49	1.92	2.38	2.91	3.53	4.23	5.02	5.88	-
40	1.21	1.60	2.01	2.47	2.99	3.59	4.28	5.04	-
45	-	1.31	1.67	2.07	2.52	3.03	3.62	4.28	-
50	-	-	1.37	1.71	2.09	2.53	3.03	3.59	-
55	-	-	-	1.39	1.72	2.08	2.50	2.98	-
60	-	-	-	-	1.38	1.68	2.03	2.43	-
65	-	-	-	-	-	1.32	1.61	1.94	-

Nominal performance at to = 5 °C, tc = 50 °C

Cooling capacity	19 821	W
Power input	6 550	W
Current consumption	12.08	A
Mass flow	479	kg/h
C.O.P.	3.03	

Pressure switch settings

Maximum HP switch setting	45	bar(g)
Minimum LP switch setting	1.5	bar(g)
LP pump down setting	2.3	bar(g)

Sound power data

Sound power level	72	dB(A)
With acoustic hood	67	dB(A)

to: Evaporating temperature at dew point

tc: Condensing temperature at dew point

Rating conditions : Superheat = 10 K, Subcooling = 0 K

All performance data +/- 5%

Danfoss can accept no responsibility for possible errors in catalogues, brochures and other printed material. Danfoss reserves the right to alter its products without notice. This also applies to products already on order provided that such alternations can be made without subsequential changes being necessary in specifications already agreed. All trademarks in this material are property of the respective companies. Danfoss, the Danfoss logotype and Performer are trademarks of Danfoss A/S. All rights reserved.

Performance data at 50 Hz, ARI rating conditions

R410A

Cond. temp. in °C (tc)	Evaporating temperature in °C (to)							
	-25	-20	-15	-10	-5	0	5	10

Cooling capacity in W

30	8 293	10 596	13 118	15 982	19 310	23 227	27 854	33 315	-
35	7 600	9 927	12 410	15 171	18 334	22 021	26 356	31 461	-
40	6 815	9 188	11 653	14 334	17 352	20 831	24 895	29 665	-
45	-	8 355	10 823	13 444	16 339	19 632	23 445	27 902	-
50	-	-	9 896	12 478	15 271	18 398	21 983	26 148	-
55	-	-	-	11 411	14 123	17 106	20 483	24 378	-
60	-	-	-	-	12 871	15 732	18 923	22 567	-
65	-	-	-	-	-	14 250	17 276	20 692	-

Power input in W

30	4 295	4 337	4 346	4 342	4 344	4 370	4 440	4 573	-
35	4 703	4 774	4 802	4 806	4 804	4 816	4 862	4 959	-
40	5 150	5 255	5 306	5 322	5 322	5 324	5 350	5 416	-
45	-	5 787	5 866	5 898	5 903	5 901	5 910	5 950	-
50	-	-	6 486	6 540	6 555	6 552	6 550	6 567	-
55	-	-	-	7 254	7 284	7 285	7 275	7 275	-
60	-	-	-	-	8 096	8 105	8 093	8 079	-
65	-	-	-	-	-	9 020	9 009	8 986	-

Current consumption in A

30	8.13	8.10	8.04	7.97	7.86	7.72	7.55	7.32	-
35	9.12	9.06	8.98	8.90	8.79	8.66	8.51	8.31	-
40	10.26	10.15	10.05	9.94	9.83	9.70	9.56	9.39	-
45	-	11.41	11.27	11.14	11.01	10.87	10.73	10.58	-
50	-	-	12.70	12.53	12.37	12.22	12.08	11.93	-
55	-	-	-	14.15	13.96	13.78	13.63	13.48	-
60	-	-	-	-	15.80	15.60	15.42	15.26	-
65	-	-	-	-	-	17.70	17.49	17.31	-

Mass flow in kg/h

30	160	201	245	295	353	421	500	594	-
35	154	197	243	293	350	416	493	583	-
40	146	192	239	290	347	412	487	575	-
45	-	184	233	286	343	408	482	567	-
50	-	-	226	280	338	403	476	559	-
55	-	-	-	272	332	397	469	551	-
60	-	-	-	-	323	389	462	543	-
65	-	-	-	-	-	378	452	533	-

Coefficient of performance (C.O.P.)

30	1.93	2.44	3.02	3.68	4.45	5.32	6.27	7.29	-
35	1.62	2.08	2.58	3.16	3.82	4.57	5.42	6.34	-
40	1.32	1.75	2.20	2.69	3.26	3.91	4.65	5.48	-
45	-	1.44	1.85	2.28	2.77	3.33	3.97	4.69	-
50	-	-	1.53	1.91	2.33	2.81	3.36	3.98	-
55	-	-	-	1.57	1.94	2.35	2.82	3.35	-
60	-	-	-	-	1.59	1.94	2.34	2.79	-
65	-	-	-	-	-	1.58	1.92	2.30	-

Nominal performance at to = 7.2 °C, tc = 54.4 °C

Cooling capacity	22 321	W
Power input	7 182	W
Current consumption	13.36	A
Mass flow	505	kg/h
C.O.P.	3.11	

Pressure switch settings

Maximum HP switch setting	45	bar(g)
Minimum LP switch setting	1.5	bar(g)
LP pump down setting	2.3	bar(g)

Sound power data

Sound power level	72	dB(A)
With acoustic hood	67	dB(A)

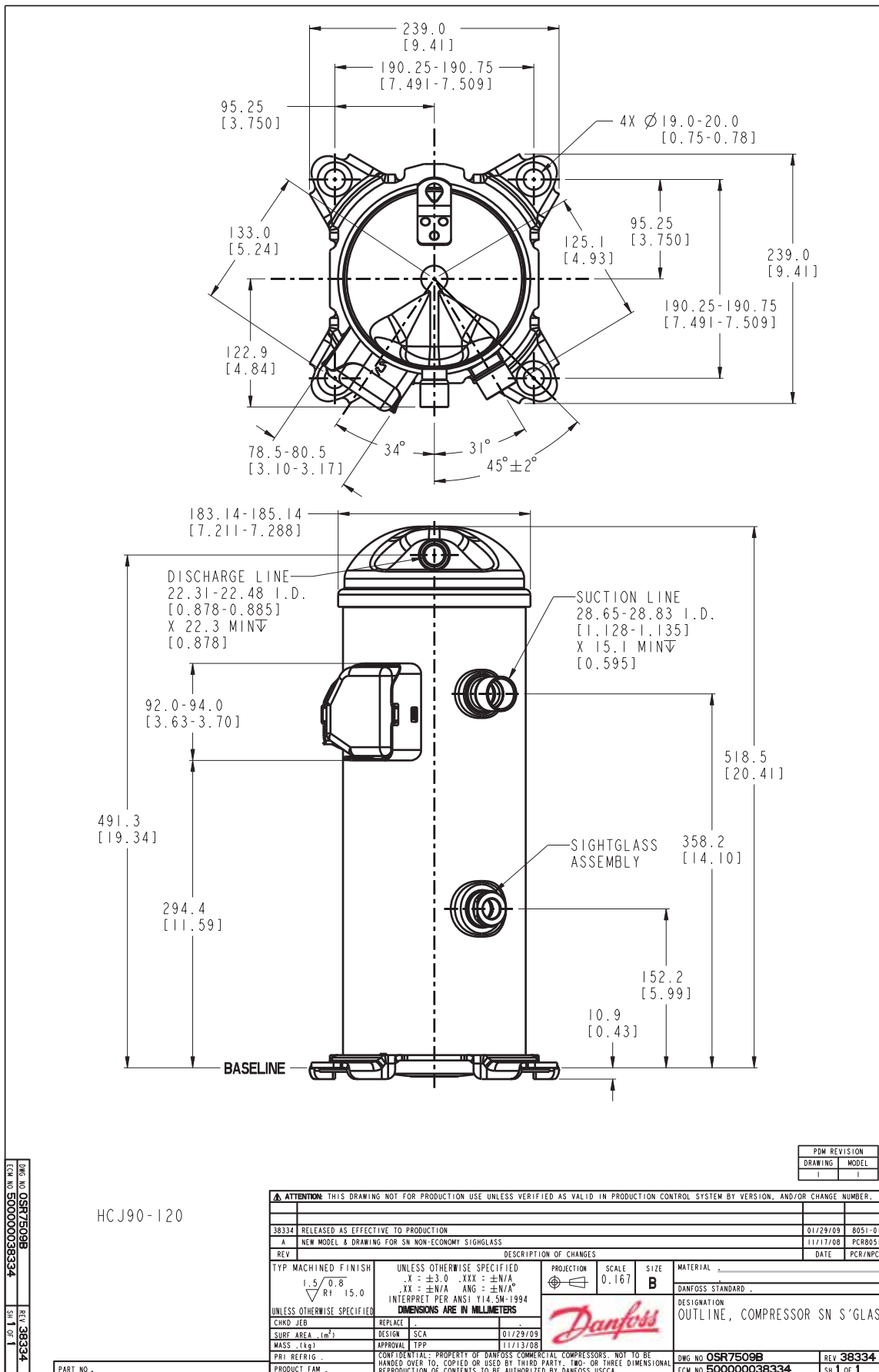
to: Evaporating temperature at dew point

tc: Condensing temperature at dew point

Rating conditions : Superheat = 11.1 K, Subcooling = 8.3 K

All performance data +/- 5%

Danfoss can accept no responsibility for possible errors in catalogues, brochures and other printed material. Danfoss reserves the right to alter its products without notice. This also applies to products already on order provided that such alternations can be made without subsequential changes being necessary in specifications already agreed. All trademarks in this material are property of the respective companies. Danfoss, the Danfoss logotype and Performer are trademarks of Danfoss A/S. All rights reserved.



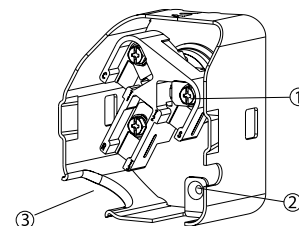
Danfoss can accept no responsibility for possible errors in catalogues, brochures and other printed material. Danfoss reserves the right to alter its products without notice. This also applies to products already on order provided that such alternations can be made without subsequential changes being necessary in specifications already agreed. All trademarks in this material are property of the respective companies. Danfoss, the Danfoss logotype and Maneurop are trademarks of Danfoss A/S. All rights reserved.

General Characteristics

Model number (on compressor nameplate)		HCJ090T4LC8
Code number for Singlepack*		120U2538
Code number for Industrial pack**		120U2535
Drawing number		0SR7508B
Suction and discharge connections		Brazed
Suction connection		1-1/8" ODF
Discharge connection		7/8" ODF
Oil sight glass		None
Oil equalisation connection		1/2"
Oil drain connection		None
LP gauge port		None
IPR valve		None
Swept volume		86.85 cm ³ /rev
Displacement @ Nominal speed	15.1 m ³ /h @ 2900 rpm - 18.2 m ³ /h @ 3500 rpm	
Net weight		45.2 kg
Oil charge		2.66 litre, PVE --
Maximum system test pressure Low Side / High side		- bar(g) / - bar(g)
Maximum differential test pressure		- bar
Maximum number of starts per hour		-
Refrigerant charge limit		7.26 kg
Approved refrigerants		R410A

Dimensions

D=184 mm
H=537 mm
H1=377 mm
H2=510 mm

Terminal box

IP22

- 1: Screw connectors 10-32 UNF x 9.5
- 2: Earth connection
- 3: Power cable passage

Electrical Characteristics

Nominal voltage	380-400V/3/50Hz - 460V/3/60Hz
Voltage range	340-440 V @ 50Hz - 414-506 V @ 60Hz
Rated Load Amps (RLA)	12.2 A
Maximum Continuous Current (MCC)	19.0 A
Locked Rotor Amps (LRA)	110.0 A
Motor protection	Internal overload protector

Recommended Installation torques

Oil sight glass	0 Nm
Power connections / Earth connection	3 Nm / 2 Nm

Parts shipped with compressor

Mounting kit with grommets and sleeves
Initial oil charge
Installation instructions

Approvals : CE certified, UL certified (file SA11565), -

*Singlepack: Compressor in cardboard box

**Industrial pack: 12 or 16 Unboxed compressors on pallet

Rotolock accessories, suction side	Code no.
---	-----------------

Rotolock accessories, discharge side	Code no.
---	-----------------

Rotolock accessories, sets	Code no.
-----------------------------------	-----------------

Oil / lubricants	Code no.
-------------------------	-----------------

PVE lubricant, 320HV (FVC68D), 1 litre can	120Z5034
--	----------

Crankcase heaters	Code no.
--------------------------	-----------------

Belt type crankcase heater, 65 W, 230 V, CE mark, UL	120Z0059
Belt type crankcase heater, 65 W, 400 V, CE mark, UL	120Z0060
Belt type crankcase heater, 70 W, 230 V, UL	120Z5011
Belt type crankcase heater, 70 W, 460 V, UL	120Z5012

Miscellaneous accessories	Code no.
----------------------------------	-----------------

Discharge thermostat kit	7750009
--------------------------	---------

Spare parts	Code no.
--------------------	-----------------

Mounting kit for 1 scroll compressor including 4 grommets, 4 sleeves, 4 bolts, 4 washers	120Z5005
--	----------

Performance data at 50 Hz, EN 12900 rating conditions

R410A

Cond. temp. in °C (tc)	Evaporating temperature in °C (to)							
	-25	-20	-15	-10	-5	0	5	10

Cooling capacity in W

30	7 679	9 822	12 172	14 843	17 951	21 610	25 937	31 046	-
35	6 992	9 144	11 444	14 005	16 942	20 369	24 400	29 151	-
40	6 222	8 399	10 666	13 135	15 919	19 132	22 887	27 299	-
45	-	7 566	9 816	12 209	14 858	17 874	21 371	25 461	-
50	-	-	8 870	11 203	13 731	16 567	19 821	23 606	-
55	-	-	-	10 087	12 508	15 176	18 202	21 694	-
60	-	-	-	-	11 150	13 657	16 460	19 666	-
65	-	-	-	-	-	11 931	14 504	17 415	-

Power input in W

30	4 295	4 337	4 346	4 342	4 344	4 370	4 440	4 573	-
35	4 703	4 774	4 802	4 806	4 804	4 816	4 862	4 959	-
40	5 150	5 255	5 306	5 322	5 322	5 324	5 350	5 416	-
45	-	5 787	5 866	5 898	5 903	5 901	5 910	5 950	-
50	-	-	6 486	6 540	6 555	6 552	6 550	6 567	-
55	-	-	-	7 254	7 284	7 285	7 275	7 275	-
60	-	-	-	-	8 096	8 105	8 093	8 079	-
65	-	-	-	-	-	9 020	9 009	8 986	-

Current consumption in A

30	8.13	8.10	8.04	7.97	7.86	7.72	7.55	7.32	-
35	9.12	9.06	8.98	8.90	8.79	8.66	8.51	8.31	-
40	10.26	10.15	10.05	9.94	9.83	9.70	9.56	9.39	-
45	-	11.41	11.27	11.14	11.01	10.87	10.73	10.58	-
50	-	-	12.70	12.53	12.37	12.22	12.08	11.93	-
55	-	-	-	14.15	13.96	13.78	13.63	13.48	-
60	-	-	-	-	15.80	15.60	15.42	15.26	-
65	-	-	-	-	-	17.70	17.49	17.31	-

Mass flow in kg/h

30	161	202	247	297	355	424	504	598	-
35	155	198	244	295	352	419	497	588	-
40	147	193	240	292	349	415	491	579	-
45	-	185	235	288	345	411	485	571	-
50	-	-	227	282	341	406	479	563	-
55	-	-	-	274	334	399	473	555	-
60	-	-	-	-	325	391	465	547	-
65	-	-	-	-	-	381	455	537	-

Coefficient of performance (C.O.P.)

30	1.79	2.26	2.80	3.42	4.13	4.95	5.84	6.79	-
35	1.49	1.92	2.38	2.91	3.53	4.23	5.02	5.88	-
40	1.21	1.60	2.01	2.47	2.99	3.59	4.28	5.04	-
45	-	1.31	1.67	2.07	2.52	3.03	3.62	4.28	-
50	-	-	1.37	1.71	2.09	2.53	3.03	3.59	-
55	-	-	-	1.39	1.72	2.08	2.50	2.98	-
60	-	-	-	-	1.38	1.68	2.03	2.43	-
65	-	-	-	-	-	1.32	1.61	1.94	-

Nominal performance at to = 5 °C, tc = 50 °C

Cooling capacity	19 821	W
Power input	6 550	W
Current consumption	12.08	A
Mass flow	479	kg/h
C.O.P.	3.03	

Pressure switch settings

Maximum HP switch setting	45	bar(g)
Minimum LP switch setting	1.5	bar(g)
LP pump down setting	2.3	bar(g)

Sound power data

Sound power level	72	dB(A)
With acoustic hood	67	dB(A)

to: Evaporating temperature at dew point

tc: Condensing temperature at dew point

Rating conditions : Superheat = 10 K, Subcooling = 0 K

All performance data +/- 5%

Danfoss can accept no responsibility for possible errors in catalogues, brochures and other printed material. Danfoss reserves the right to alter its products without notice. This also applies to products already on order provided that such alternations can be made without subsequential changes being necessary in specifications already agreed. All trademarks in this material are property of the respective companies. Danfoss, the Danfoss logotype and Performer are trademarks of Danfoss A/S. All rights reserved.

Performance data at 50 Hz, ARI rating conditions

R410A

Cond. temp. in °C (tc)	Evaporating temperature in °C (to)							
	-25	-20	-15	-10	-5	0	5	10

Cooling capacity in W

30	8 293	10 596	13 118	15 982	19 310	23 227	27 854	33 315	-
35	7 600	9 927	12 410	15 171	18 334	22 021	26 356	31 461	-
40	6 815	9 188	11 653	14 334	17 352	20 831	24 895	29 665	-
45	-	8 355	10 823	13 444	16 339	19 632	23 445	27 902	-
50	-	-	9 896	12 478	15 271	18 398	21 983	26 148	-
55	-	-	-	11 411	14 123	17 106	20 483	24 378	-
60	-	-	-	-	12 871	15 732	18 923	22 567	-
65	-	-	-	-	-	14 250	17 276	20 692	-

Power input in W

30	4 295	4 337	4 346	4 342	4 344	4 370	4 440	4 573	-
35	4 703	4 774	4 802	4 806	4 804	4 816	4 862	4 959	-
40	5 150	5 255	5 306	5 322	5 322	5 324	5 350	5 416	-
45	-	5 787	5 866	5 898	5 903	5 901	5 910	5 950	-
50	-	-	6 486	6 540	6 555	6 552	6 550	6 567	-
55	-	-	-	7 254	7 284	7 285	7 275	7 275	-
60	-	-	-	-	8 096	8 105	8 093	8 079	-
65	-	-	-	-	-	9 020	9 009	8 986	-

Current consumption in A

30	8.13	8.10	8.04	7.97	7.86	7.72	7.55	7.32	-
35	9.12	9.06	8.98	8.90	8.79	8.66	8.51	8.31	-
40	10.26	10.15	10.05	9.94	9.83	9.70	9.56	9.39	-
45	-	11.41	11.27	11.14	11.01	10.87	10.73	10.58	-
50	-	-	12.70	12.53	12.37	12.22	12.08	11.93	-
55	-	-	-	14.15	13.96	13.78	13.63	13.48	-
60	-	-	-	-	15.80	15.60	15.42	15.26	-
65	-	-	-	-	-	17.70	17.49	17.31	-

Mass flow in kg/h

30	160	201	245	295	353	421	500	594	-
35	154	197	243	293	350	416	493	583	-
40	146	192	239	290	347	412	487	575	-
45	-	184	233	286	343	408	482	567	-
50	-	-	226	280	338	403	476	559	-
55	-	-	-	272	332	397	469	551	-
60	-	-	-	-	323	389	462	543	-
65	-	-	-	-	-	378	452	533	-

Coefficient of performance (C.O.P.)

30	1.93	2.44	3.02	3.68	4.45	5.32	6.27	7.29	-
35	1.62	2.08	2.58	3.16	3.82	4.57	5.42	6.34	-
40	1.32	1.75	2.20	2.69	3.26	3.91	4.65	5.48	-
45	-	1.44	1.85	2.28	2.77	3.33	3.97	4.69	-
50	-	-	1.53	1.91	2.33	2.81	3.36	3.98	-
55	-	-	-	1.57	1.94	2.35	2.82	3.35	-
60	-	-	-	-	1.59	1.94	2.34	2.79	-
65	-	-	-	-	-	1.58	1.92	2.30	-

Nominal performance at to = 7.2 °C, tc = 54.4 °C

Cooling capacity	22 321	W
Power input	7 182	W
Current consumption	13.36	A
Mass flow	505	kg/h
C.O.P.	3.11	

Pressure switch settings

Maximum HP switch setting	45	bar(g)
Minimum LP switch setting	1.5	bar(g)
LP pump down setting	2.3	bar(g)

Sound power data

Sound power level	72	dB(A)
With acoustic hood	67	dB(A)

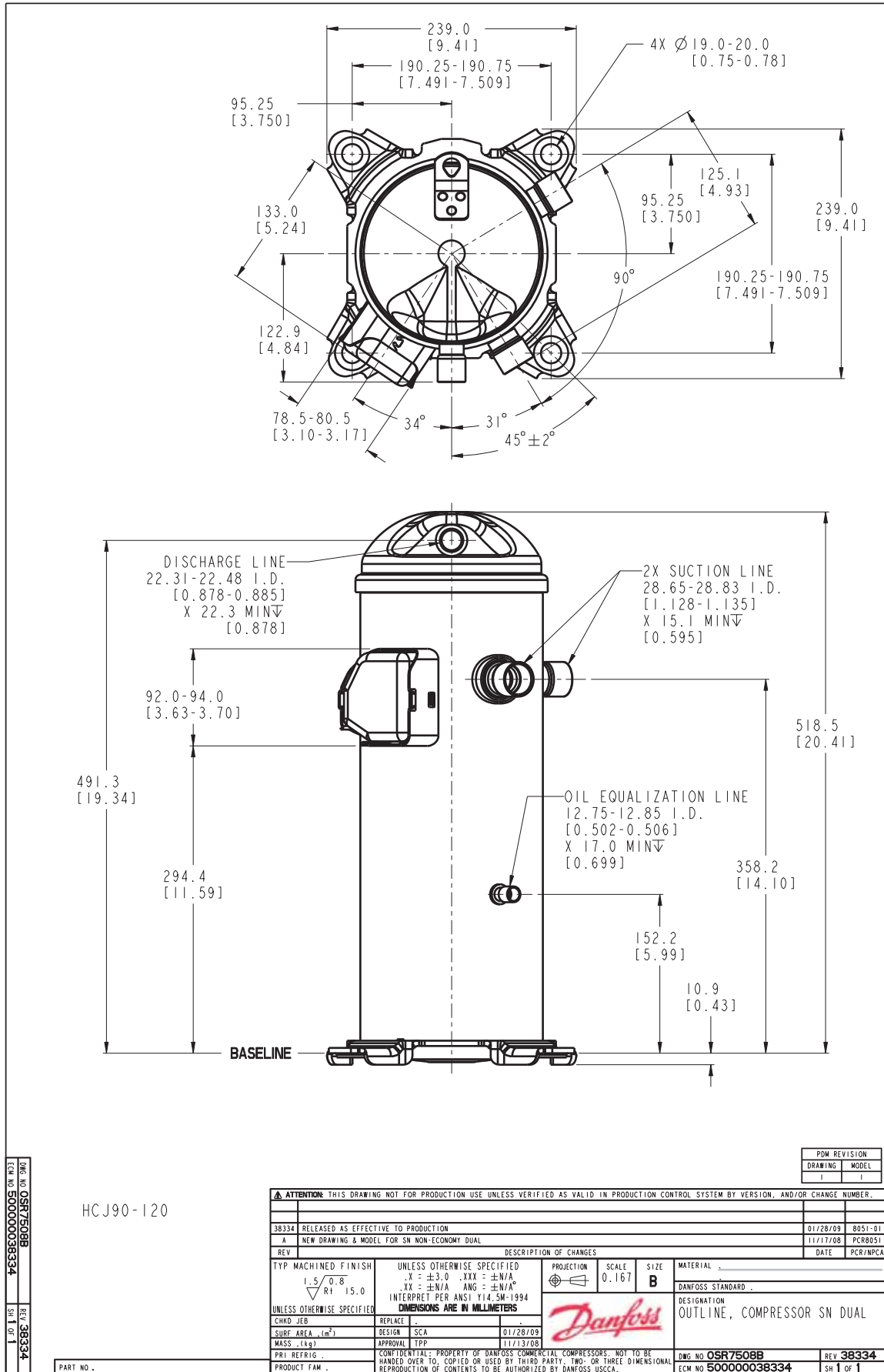
to: Evaporating temperature at dew point

tc: Condensing temperature at dew point

Rating conditions : Superheat = 11.1 K, Subcooling = 8.3 K

All performance data +/- 5%

Danfoss can accept no responsibility for possible errors in catalogues, brochures and other printed material. Danfoss reserves the right to alter its products without notice. This also applies to products already on order provided that such alternations can be made without subsequential changes being necessary in specifications already agreed. All trademarks in this material are property of the respective companies. Danfoss, the Danfoss logotype and Performer are trademarks of Danfoss A/S. All rights reserved.



Danfoss can accept no responsibility for possible errors in catalogues, brochures and other printed material. Danfoss reserves the right to alter its products without notice. This also applies to products already on order provided that such alterations can be made without subsequent changes being necessary in specifications already agreed. All trademarks in this material are property of the respective companies. Danfoss, the Danfoss logotype and Maneurop are trademarks of Danfoss A/S. All rights reserved.